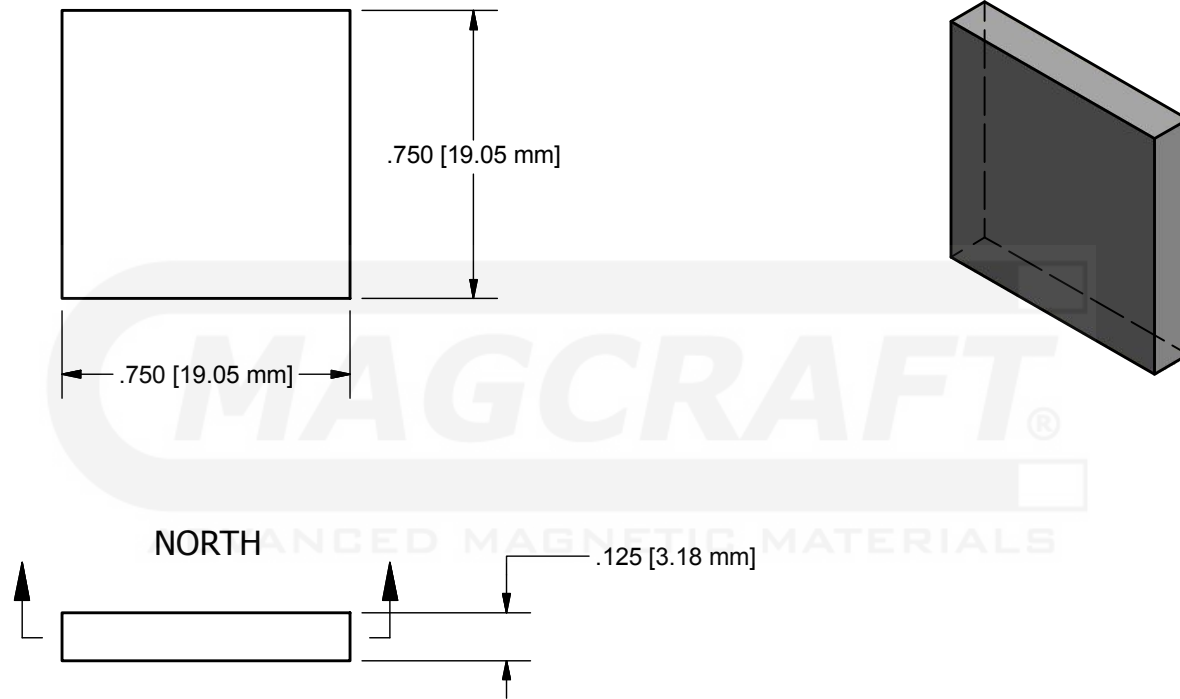


NOTES:

- 1) DO NOT SCALE THIS DRAWING.
- 2) UNLESS OTHERWISE SPECIFIED, SHARP EDGES AND CORNERS REMOVED. MAXIMUM 0.015 RADIUS.
- 3) UNLESS OTHERWISE SPECIFIED, ALL DIMENSIONS ARE AFTER PLATING.



MFG APPROVED DATE: **12/19/2014**

UNLESS OTHERWISE SPECIFIED:
 DIMENSIONS ARE IN INCHES
 TOLERANCES:
 FRACTIONAL $\pm 1/64$
 ANGULAR $\pm 1^\circ$
 TWO PLACE DECIMAL ± 0.01
 THREE PLACE DECIMAL ± 0.005



TITLE:
MAGCRAFT PART NSN0012

MATERIAL: **MAGCRAFT ALLOY N40**

SIZE
A

DWG. NO.
NSN0012

REV
0

FINISH: **Ni-Cu-Ni PLATING**

CAD FILE: **NSN0012.dwg**

SCALE: **2 : 1**

SHEET **1** OF **1**