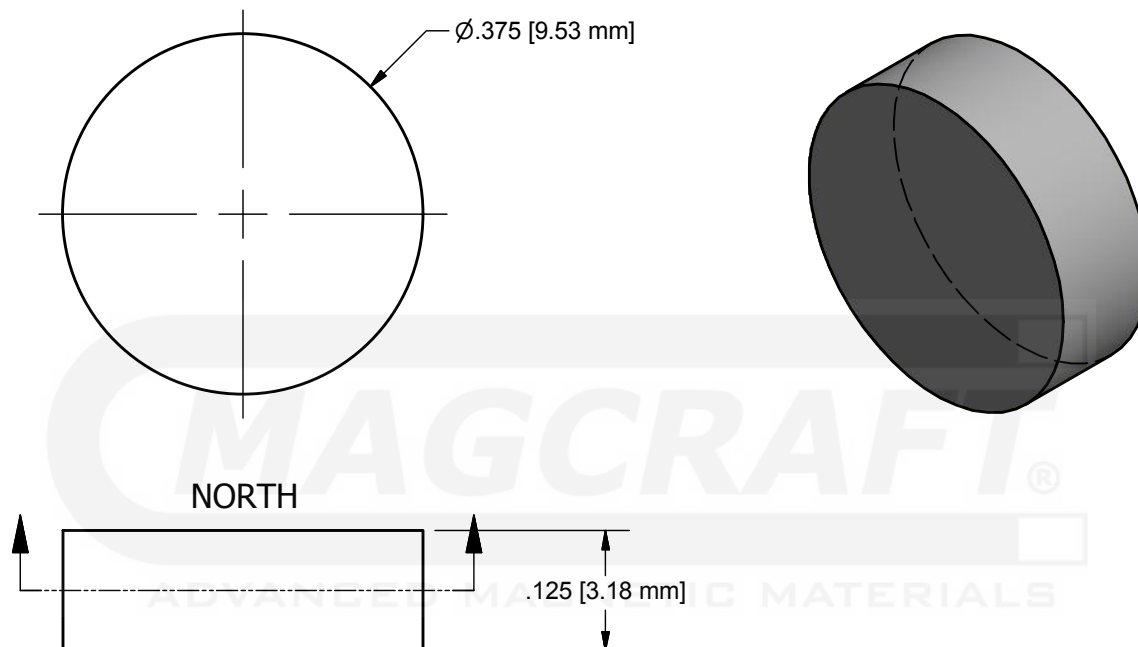


**NOTES:**

- 1) DO NOT SCALE THIS DRAWING.
- 2) UNLESS OTHERWISE SPECIFIED, SHARP EDGES AND CORNERS REMOVED. MAXIMUM 0.015 RADIUS.
- 3) UNLESS OTHERWISE SPECIFIED, ALL DIMENSIONS ARE AFTER PLATING.



MFG APPROVED DATE: **12/19/2014**

UNLESS OTHERWISE SPECIFIED:  
 DIMENSIONS ARE IN INCHES  
 TOLERANCES:  
 FRACTIONAL ± 1/64  
 ANGULAR ± 1°  
 TWO PLACE DECIMAL ± 0.01  
 THREE PLACE DECIMAL ± 0.005



TITLE:  
**MAGCRAFT PART NSN0073**

MATERIAL: **MAGCRAFT ALLOY N40**

FINISH: **Ni-Cu-Ni PLATING**

CAD FILE: **NSN0073.dwg**

SIZE  
**A**

DWG. NO.  
**NSN0073**

REV  
**0**

SCALE: **5 : 1**

SHEET **1** OF **1**