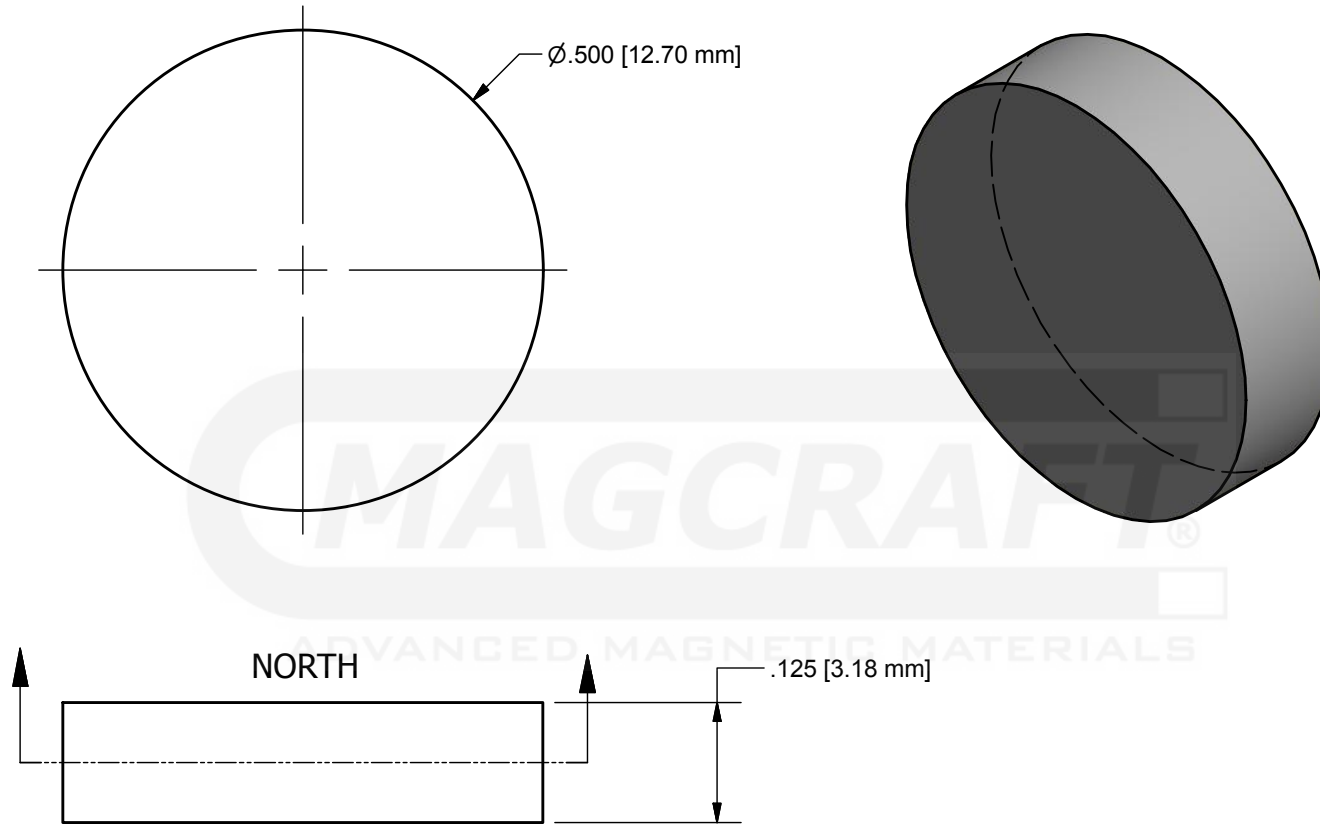


**NOTES:**

- 1) DO NOT SCALE THIS DRAWING.
- 2) UNLESS OTHERWISE SPECIFIED, SHARP EDGES AND CORNERS REMOVED. MAXIMUM 0.015 RADIUS.
- 3) UNLESS OTHERWISE SPECIFIED, ALL DIMENSIONS ARE AFTER PLATING.



MAGCRAFT®  
ADVANCED MAGNETIC MATERIALS

MFG APPROVED DATE: <b>12/19/2014</b>		 <small>ADVANCED MAGNETIC MATERIALS</small>	
UNLESS OTHERWISE SPECIFIED: DIMENSIONS ARE IN INCHES TOLERANCES: FRACTIONAL ± 1/64 ANGULAR ± 1° TWO PLACE DECIMAL ± 0.01 THREE PLACE DECIMAL ± 0.005		TITLE: <b>MAGCRAFT PART NSN0002</b>	
MATERIAL: <b>MAGCRAFT ALLOY N40</b>	SIZE <b>A</b>	DWG. NO. <b>NSN0002</b>	REV <b>0</b>
FINISH: <b>Ni-Cu-Ni PLATING</b>		SCALE: <b>5 : 1</b>	
CAD FILE: <b>NSN0002.dwg</b>		SHEET <b>1</b> OF <b>1</b>	