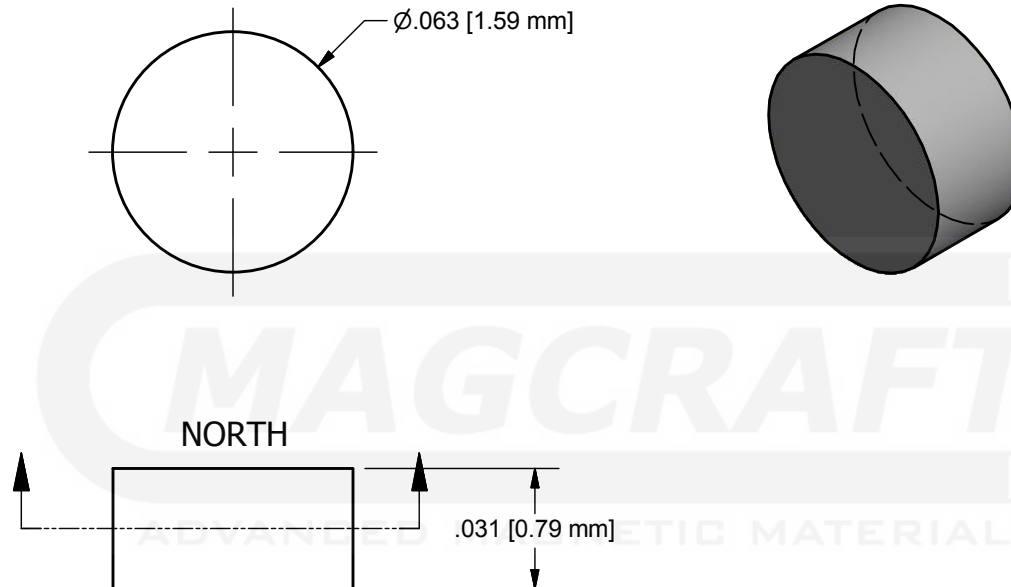


NOTES:

- 1) DO NOT SCALE THIS DRAWING.
- 2) UNLESS OTHERWISE SPECIFIED,
SHARP EDGES AND CORNERS REMOVED.
MAXIMUM 0.015 RADIUS.
- 3) UNLESS OTHERWISE SPECIFIED, ALL
DIMENSIONS ARE AFTER PLATING.



MFG APPROVED DATE: **12/19/2014**

UNLESS OTHERWISE SPECIFIED:
DIMENSIONS ARE IN INCHES
TOLERANCES:
FRACTIONAL $\pm 1/64$
ANGULAR $\pm 1^\circ$
TWO PLACE DECIMAL ± 0.01
THREE PLACE DECIMAL ± 0.005



TITLE:
MAGCRAFT PART NSN0091

MATERIAL: **MAGCRAFT ALLOY N40**

FINISH: **Ni-Cu-Ni PLATING**

CAD FILE: **NSN0091.dwg**

SIZE
A

DWG. NO.
NSN0091

REV
0